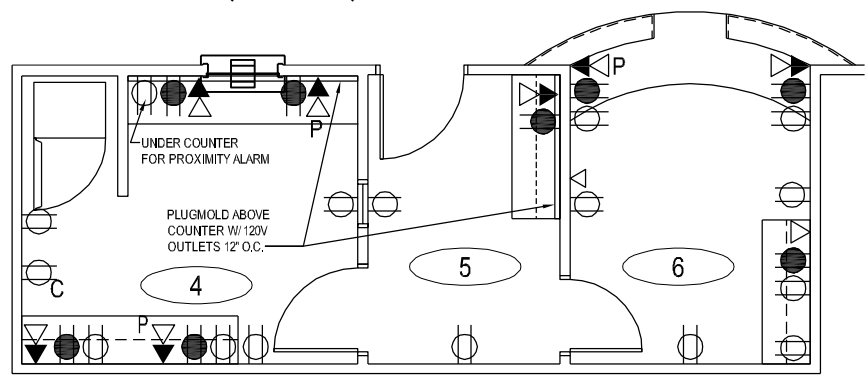


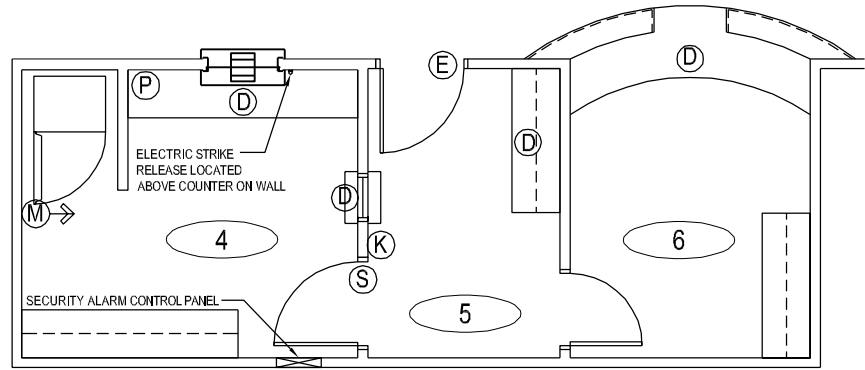
**SYMBOL LEGEND**

- PLUG MOLDING 120V OUTLETS @ 12" O.C.
  - ▲ TELEPHONE
  - △ DATA/COMMUNICATIONS "P" = POS
  - 120V DUPLEX OUTLET
  - 120V DUPLEX OUTLET ISOLATED GROUND
  - C 120V CCTV OUTLET ABOVE CEILING
  - ⓓ DURESS SWITCH MOUNT UNDER COUNTER
  - ⓔ ELECTRIC STRIKE
  - Ⓟ PROXIMITY ALARM SWITCH
  - Ⓜ → MOTION DETECTOR
  - Ⓢ FLUSH MOUNTED MAGNETIC SWITCH
  - Ⓚ ACCESS KEYPAD MOUNT 48" AFF
- NOTE:  
ELEC. DATA & TELE OUTLETS AT BUILT-IN COUNTERS SHALL BE LOCATED ABOVE THE COUNTER



**WINDOW LEGEND**

- Ⓐ CASHIER'S WINDOW W/ BLINDS AT 42" AFF SIZE: 3'-4"W X 3'-8"H
- Ⓑ CASH TRAY WINDOW W/ SERVICE COUNTER AT 42" AFF SIZE: 2'-0"W X 3'-8"H



REFER TO DECA DESIGN CRITERIA HANDBOOK SECTION 13 25 00 "CASH ROOMS" FOR SPECIFIC CONSTRUCTION REQUIREMENTS IN THIS AREA.

DATE	DEFENSE COMMISSARY AGENCY DIRECTORATE OF ENGINEERING FORT LEE, VIRGINIA - LACKLAND AFB, TEXAS		DESIGN STANDARD
JUN 2022	TITLE	CASHIER-CASH COUNTING-CUSTOMER SERVICE STANDARD FLOOR PLAN CLASS I & II STORES	132500-02
		REF.	
		REV.	